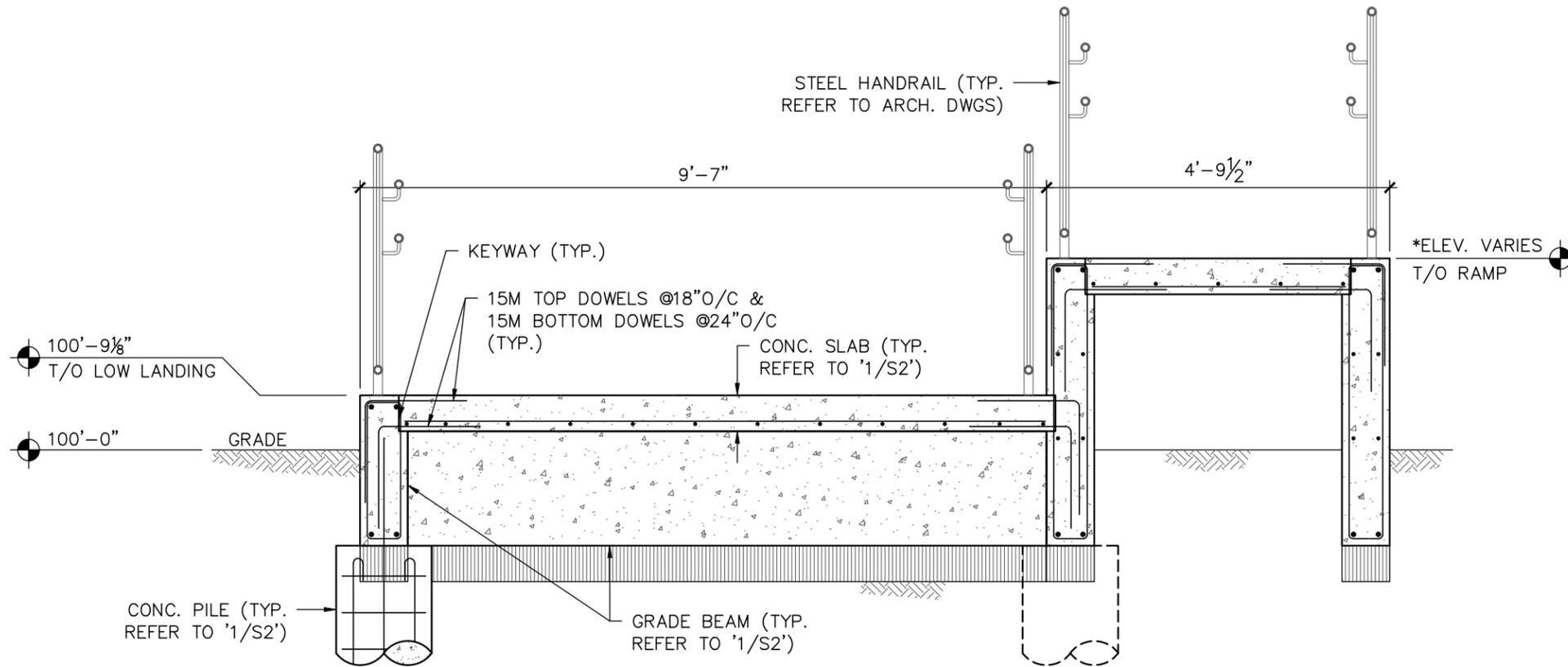


1 SECTION
S3 SCALE: NTS



2 SECTION
S3 SCALE: NTS

No	Revision	Date	By
1	ISSUED FOR CONSTRUCTION	2018-09-21	KC
0	ISSUED FOR REVIEW	2018-09-19	KC

SEALS

REGISTERED PROFESSIONAL ENGINEER

Charleson Engineering Ltd.

KC	KC
DESIGNED BY	REVIEWED BY
SW	2018-09-11
DRAWN BY	DATE (YYYY-MM-DD)

CHARLESON ENGINEERING LTD
 101-1200 PEMBINA HWY, WINNIPEG, MB R3T 2A7
 PH# 204-895-1474, FAX# 204-416-4606
 EMAIL: KEN@CHARLESONENG.CA

PROJECT NAME
ACCESSABLE RAMP & STAIR ADDITION
 SOUTH TRANSCONA COMMUNITY CENTER
 124 BORDEN AVE, WINNIPEG MB R2C 3L7

SHEET TITLE
SECTIONS

SCALE
AS SHOWN

PROJECT NO.	SHEET NO.	REVISION
18124	S3	3 OF 4